

SIMPLEXER



UL FILE # E101681

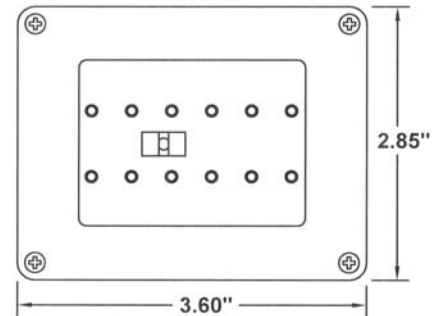
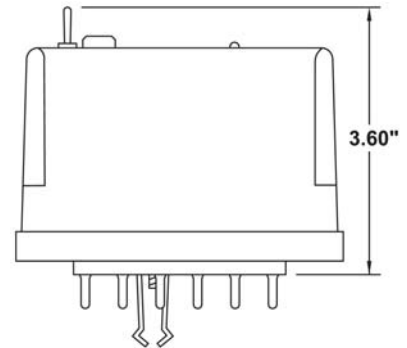


FEATURES:

- Float or Conductance Probe Level Inputs
- Level Status, Pump On and High Alarm LEDs
- Surge Protected Level Inputs
- Power Up Delay
- Level Simulation / Alarm Silence Pushbutton
- HOA Switch
- Pump Call Relay
- High Level Alarm Light Relay
- High Level Alarm Horn Relay
- RS232 Serial Port with Modbus RTU Protocol or Ethernet Port with Modbus TCP Protocol
- SCADA Features Include: Level Input Status, Remote Pump Control, Pump Run Elapsed Time Meter, Pump Last Run Cycle Time Meter and Pump Start Counter

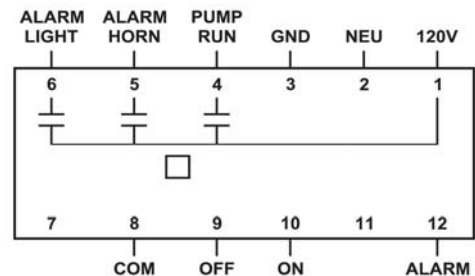
UL Listed only
When used with
SD12-PC socket.

MADE IN THE U.S.A.



DESCRIPTION

The SIMPLEXER is a low cost SCADA ready pump controller designed to perform level control for simplex lift station applications. The level inputs can be connected to either three float switches or to a conductance probe. LEDs provide level input status, pump run status, and high level alarm status indication. Output relays are provided for pump run, high level alarm for alarm light and high level alarm for alarm horn. HOA switch is also provided. Level simulation is accomplished by pressing and holding the pushbutton. Releasing the pushbutton allows the simulated level to return to normal. The pushbutton may also be pressed to silence the alarm horn. Connecting the Simplexer to a SCADA system allows the lift station to be monitored and controlled remotely. By connecting the Simplexer to a Touch Screen Interface Device (MPE part #: TSID) a number of settings may be accessed to customize the unit.



SPECIFICATIONS

Input Power:	120VAC ±10%, 10VA max
Relay Outputs:	6A Resistive @ 120VAC 3.6A Inductive @ 120VAC
Agency Approval:	UL 508, CAN/CSA
Indicators:	LED
Sensor Output Voltage:	±5V Square wave
Sensor Output Current:	±0.5mA max (per sensor)
Operating Temp:	-20 to +60 °C
Storage Temp:	-45 to +85 °C
Enclosure:	Lexan
Base:	Rhynite

ORDERING INFORMATION

Part Number: **010 - 120 - 121 P X**

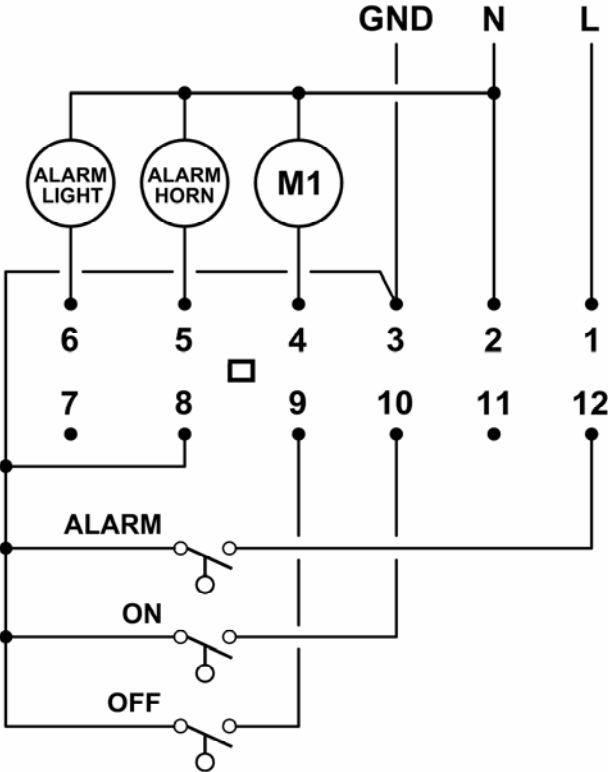
Communication Options:

- R = RS232 Serial Port
- E = Ethernet Port

SIMPLEXER

CONNECTION DIAGRAMS

FLOAT SWITCH



LEVEL PROBE

